



**RZ1-
Single 32
Spec Sheet
FRB**

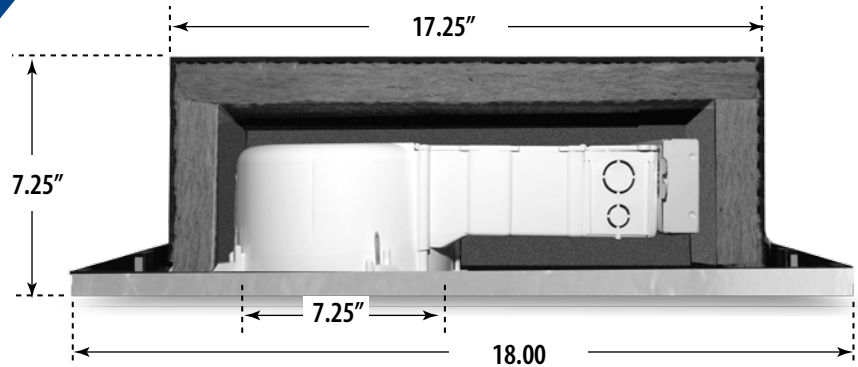
Project Name: _____ Catalog #: _____
Type: _____

**6 Inch Series
Fire Rated Box**

for use with NuTech 100%
Composite Compact
Fluorescent Downlights

**6" Aperture
Horizontal Lamp**

Note: Specifications subject to
change without notice



OVERVIEW:

100% non metallic FireRated Box (housing) for use with NuTech Lighting's 6 Inch Series 100 % composite (non-metallic) recessed fluorescent downlight. Designed for use in commercial and residential new construction installations that require a 60 minute fire rating L500 floor ceiling design. Spacing of Luminaires not to exceed one luminaire per 25 sq. feet of ceiling area with a separation of three feet per luminaire. NuTech's FireRated box incorporates Albi Clad a UL listed mineral fiberboard inside the 100% composite (non metallic) housing along with a 3/32" compressed foil board where exposure exists. Will not rust or corrode, extremely lightweight. Extremely light weight will save labor during installation as well as reduce the bearing weight on suspended ceilings. Approved for up to 36 watts. Self extinguishing, will not promote flame spread. Only FireRated downlight where the fixture can be removed and reinstalled from below ceiling grade should a ballast change be required – lowers total cost of ownership. UL/CUL listed for wet and damp location. Energy Star qualified. Title 24 compliant, meets State of Washington requirements for restricted airflow ASTM E283. including; For use in apartment complexes, condos, co-ops, assisted living residences, hospitals, hotels, offices, shopping centers, food preparation locations, cruise ships, gyms, kitchens, bathrooms, laundry rooms, utility rooms, hallways, closets, soffits, shorefront and marine locations etc.

**AVAILABLE
WATTAGES AND
CONFIGURATIONS**

Prefix	# Lamps per Luminaire	Lamping	Ballast Types
6 Inch Series	1 or 2	13W Quad, Twin	UNIV-Universal
	1 or 2	18W Quad, Triple	Electronic Ballast (UEHP) 120-277 Volt
	1	26W Quad, Triple	Electronic High Power Factor (EHP) 120 Volt
	1	32W Triple	Electronic High Power Factor (EHP) 347 Volt
			DB-Dimming Ballast (Specify 120 or 277V)
			EB- Emergency back-up

Baffles, Reflectors, Trims & Other

Trims

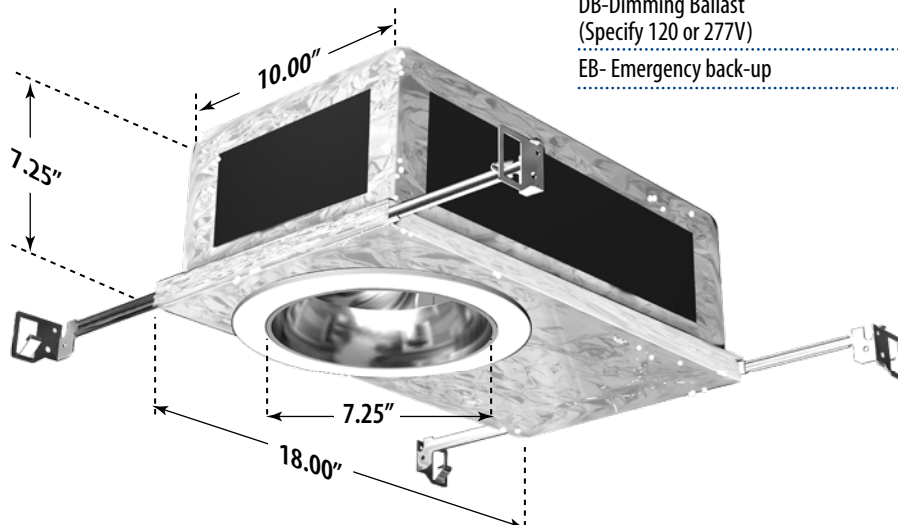
- 1R1 - Specular clear baffle with white trim
- 1R2 - Specular gold baffle with white trim
- 1R3 - Specular white baffle with white trim
- 1R5 - Specular black baffle with white trim
- 1R6 - Black step baffle with white trim
- 1R7 - White step baffle with white trim
- 1R8 - Specular cross blade with white trim
- 1R9 - White specular cross blade with white trim
- 1R10 - Black Specular cross blade with white trim
- 2R1 - Clear fresnel with white trim
- 2R1A - Opaque fresnel with white trim
- 2R2 - Opaque diffuser with white trim
- 3R1 - Wall wash

Reflectors

- GR - Gold specular reflector
- SR - Clear specular reflector
- WR - White specular reflector

Select

FRB



**ORDERING
INSTRUCTIONS**

Fixture Type	# Lamps	Installation Type	Ballast Type	Reflector Color	Trim	Other
6" Series (RZ)	1 or 2	FRB	120, 277, 347 EHP, UEHP	SR, WR, GR	1R1 2R2	DB



Nutech lighting
THE INTELLIGENT CHOICE

NuTech Lighting Corp.
608 Fifth Avenue, Suite 810
New York, NY 10020

Tel: 212-541-7397
Fax: 212-459-0880
information@nutechlighting.com

nutechlighting.com



**RZ1-
Single 32
Spec Sheet
FRB**

**6 Inch Series
Fire Rated Box**

for use with NuTech 100%
Composite Compact
Fluorescent Downlights

**6" Aperture
Horizontal Lamp**

**SPECIFICATIONS /
FEATURES**

HOUSING – 100% Non Metallic FireRated Box is extremely lightweight and can be installed by a single individual. Outer housing is 100% composite with a layer of foil backed fiberglass 3/32 inch in thickness on top and bottom.. Inner housing is made from Albi Clad. Albi Clad (UL Listed) is an environmentally responsible mineral board fireproofing system. Albi Clad will not mildew, rust or corrode and has exceptional sound proofing attributes. The 100% composite housing is light weight, impact resistant, self-extinguishing (does not promote flame spread).

HOUSING AND REFLECTOR – Corrosion and impact resistant composite, self-extinguishing - does not promote flame spread. A wide range of unbreakable composite trims are available. All trims feature patented twist-on twist-off installation. IC and ICAT housing available.

BALLAST – Energy Star (120V) or Commercial (120-277V) rated ballast - high power factor. 5 year warranty. Dimming available.

MOUNTING – Designed for New Construction installations in suspended or hard ceilings. 100% composite hanging frame kit (new construction) works with joists 13 – 24 inches.

SOCKET – One or two horizontal based sockets; either twin tube, snap in type 2-pin base. Quad and triple tube snap in type 4-pin base depending on wattage selected. Maximum wattage is 36 watts or 2 x 18.

LAMPS - Twin, triple and quad tube compact fluorescent lamps (by others) maximum wattage is 36.

LISTINGS – UL/CUL listed damp and wet location (with 1R1 or 2R2 trims), Approved State of Washington restricted air-flow requirements, ASTM E283. Title 24 compliant for high efficacy. Energy Star qualified. New York City Calendar # 42648.

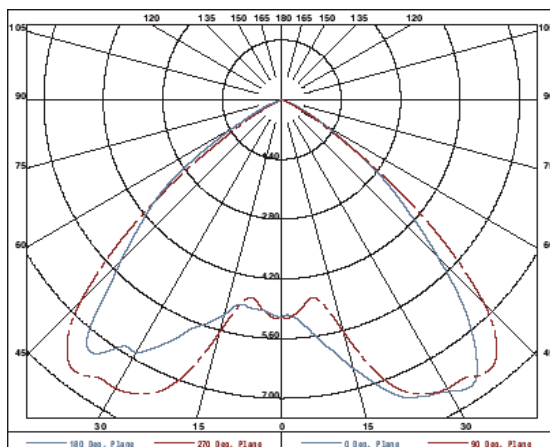
**CANDLEPOWER
CURVE**

Luminaire Testing
Labs, Inc.
IES Number: 08564
Model RZ132 CF
downlight, RCF
ballast,
specular reflector (SR),
one Sylvania
CF32DT/E/IN/835,
rated @ 2400 Lumens

Effective Floor Cavity Reflectance 0.20

RC RW	80			70				50			30			10			0	
	70	50	30	10	70	50	30	10	50	30	10	50	30	10	50	30		10
0	70	50	30	10	70	50	30	10	50	30	10	50	30	10	50	30	10	0
1																		
2	88	88	88	88	86	86	86	86	82	82	82	79	79	79	76	76	76	74
.3	83	80	78	76	81	79	77	75	76	74	72	73	71	70	70	69	68	67
4	78	73	69	66	76	72	68	65	69	66	64	67	65	63	65	63	61	60
5	72	66	61	58	70	65	61	57	63	59	56	61	58	55	59	57	54	53
6	67	60	54	50	65	59	54	50	57	53	49	55	52	49	54	51	48	47
7	62	54	48	44	60	53	47	44	51	47	43	50	46	43	49	45	42	41
8	57	48	42	38	56	48	42	38	46	41	38	45	41	38	44	40	37	36
9	52	43	37	33	51	43	37	33	42	36	33	40	36	33	40	35	32	31
10	48	38	32	28	47	38	32	28	37	32	28	36	31	28	35	31	28	27

Coefficients of
Utilization –
Zonal Cavity Method



ZONAL LUMEN SUMMARY

Zone	Lumens	% Lamp	% Fixt
0-30	547	22.8	30.8
0-40	1027	42.8	57.8
0-60	1724	71.8	97.1
0-90	1776	74.0	100.0
90-180	0	0.0	0.0
0-180	1776	74.0	100.0
Total Luminaire Efficiency:			74.0

CIE Type	Direct	90-DEG	180-DEG
Plane	0-DEG	2.0	1.8
Spacing Criteria	1.8	2.0	1.8
Luminous Diameter	6.000		



Nutech lighting
THE INTELLIGENT CHOICE

NuTech Lighting Corp.
608 Fifth Avenue, Suite 810
New York, NY 10020

Tel: 212-541-7397
Fax: 212-459-0880
information@nutechlighting.com

nutechlighting.com